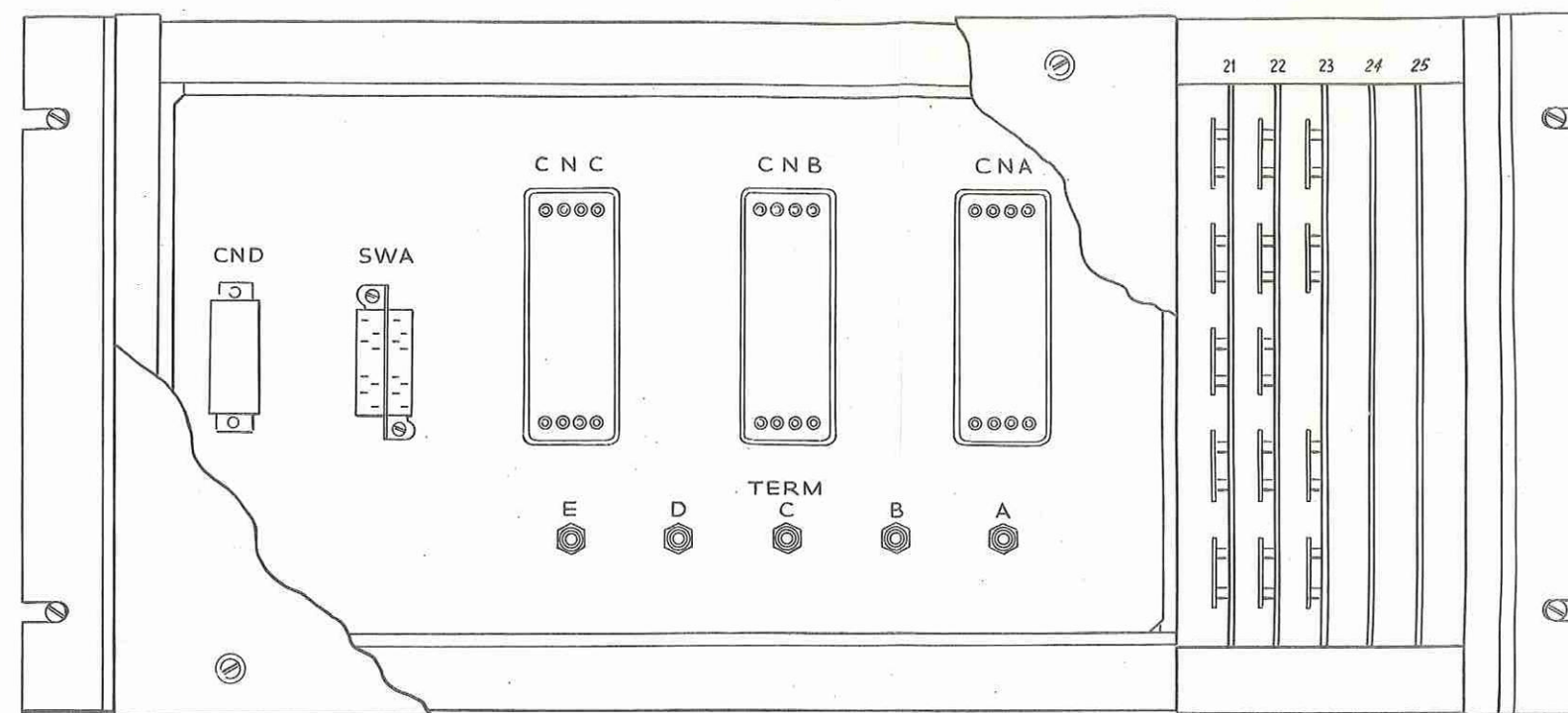
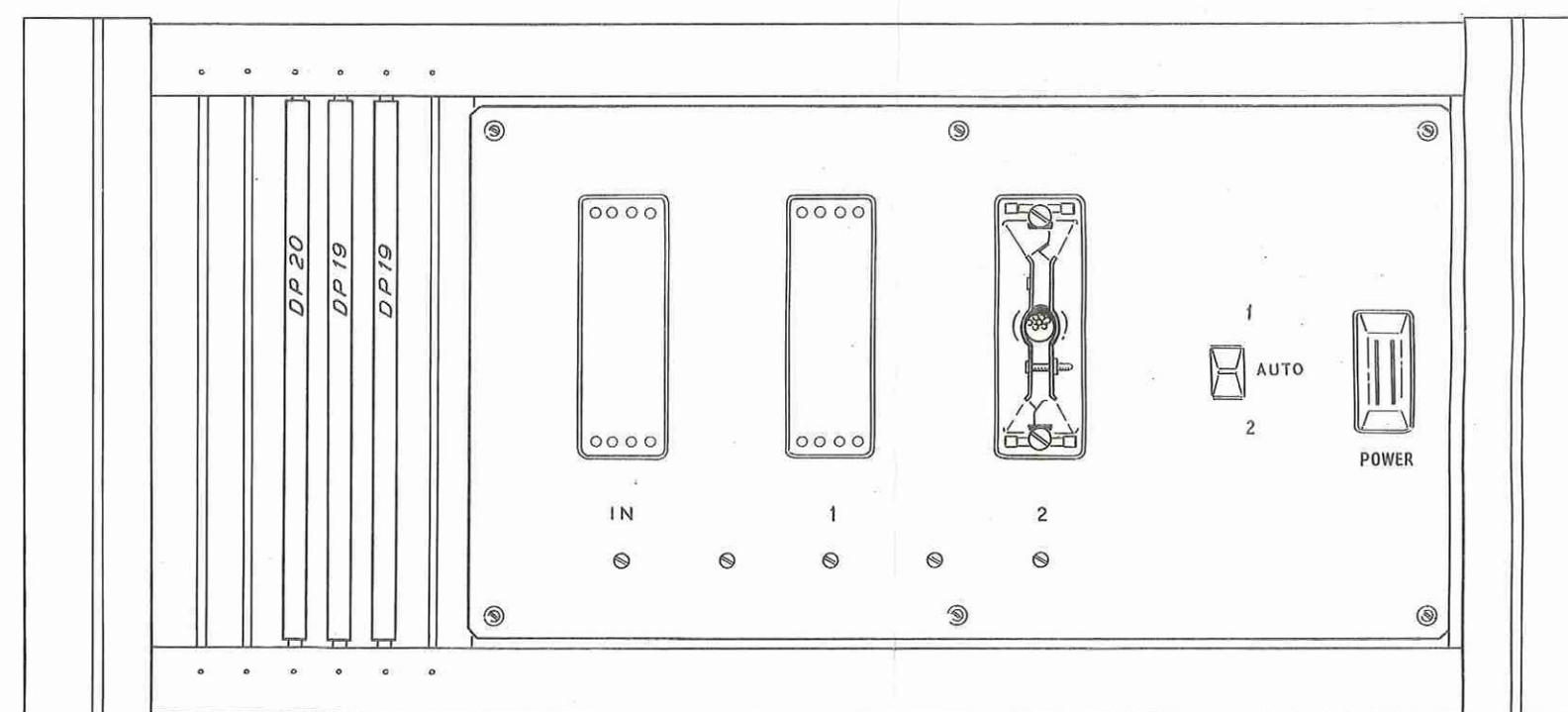


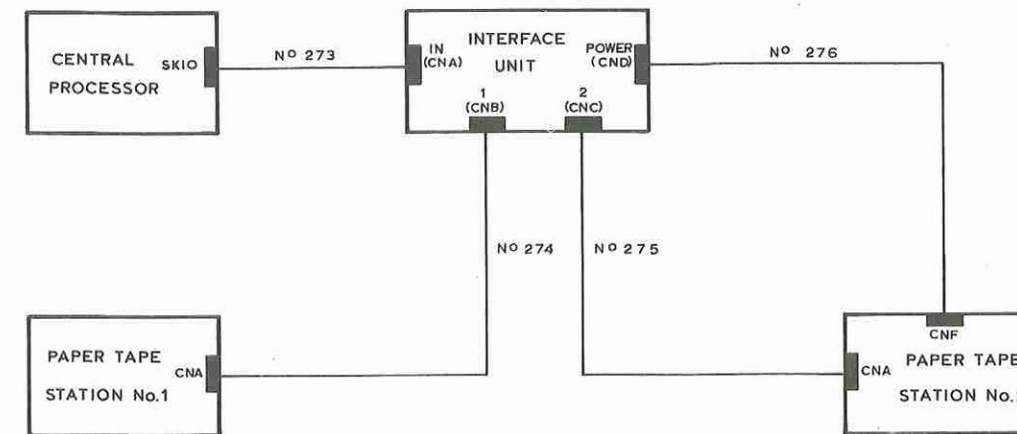
Layout of Desk containing PTS/2 and Interface Unit



FRONT VIEW OF PANEL



REAR VIEW OF PANEL

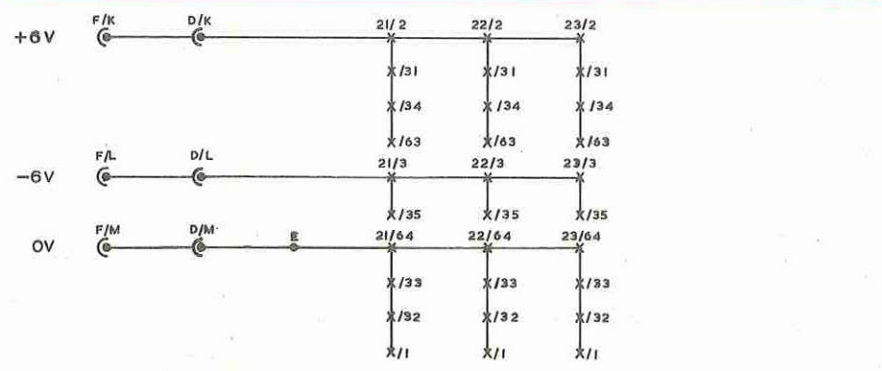
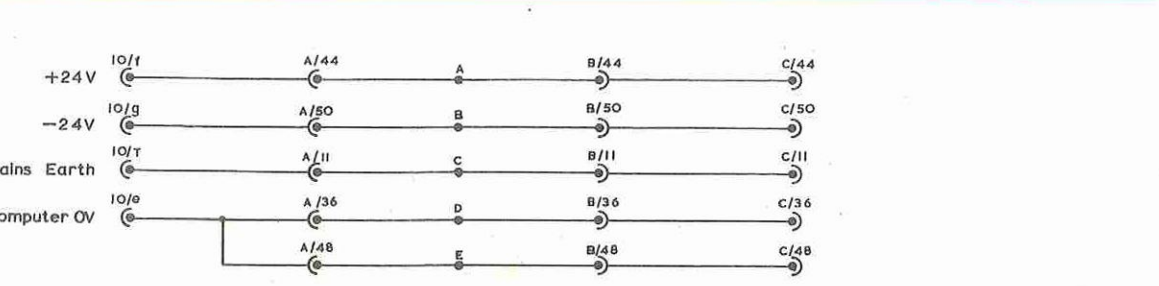
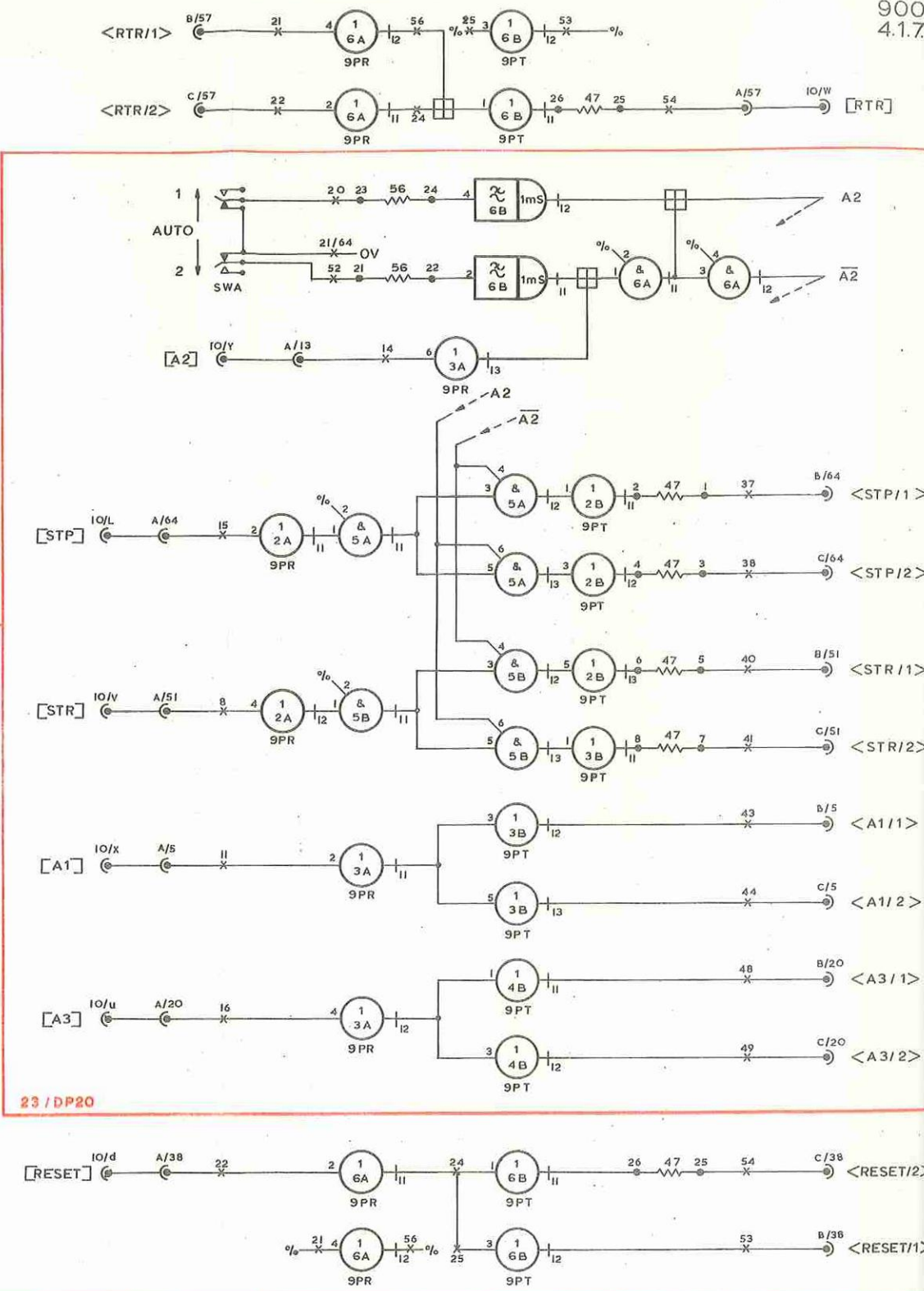
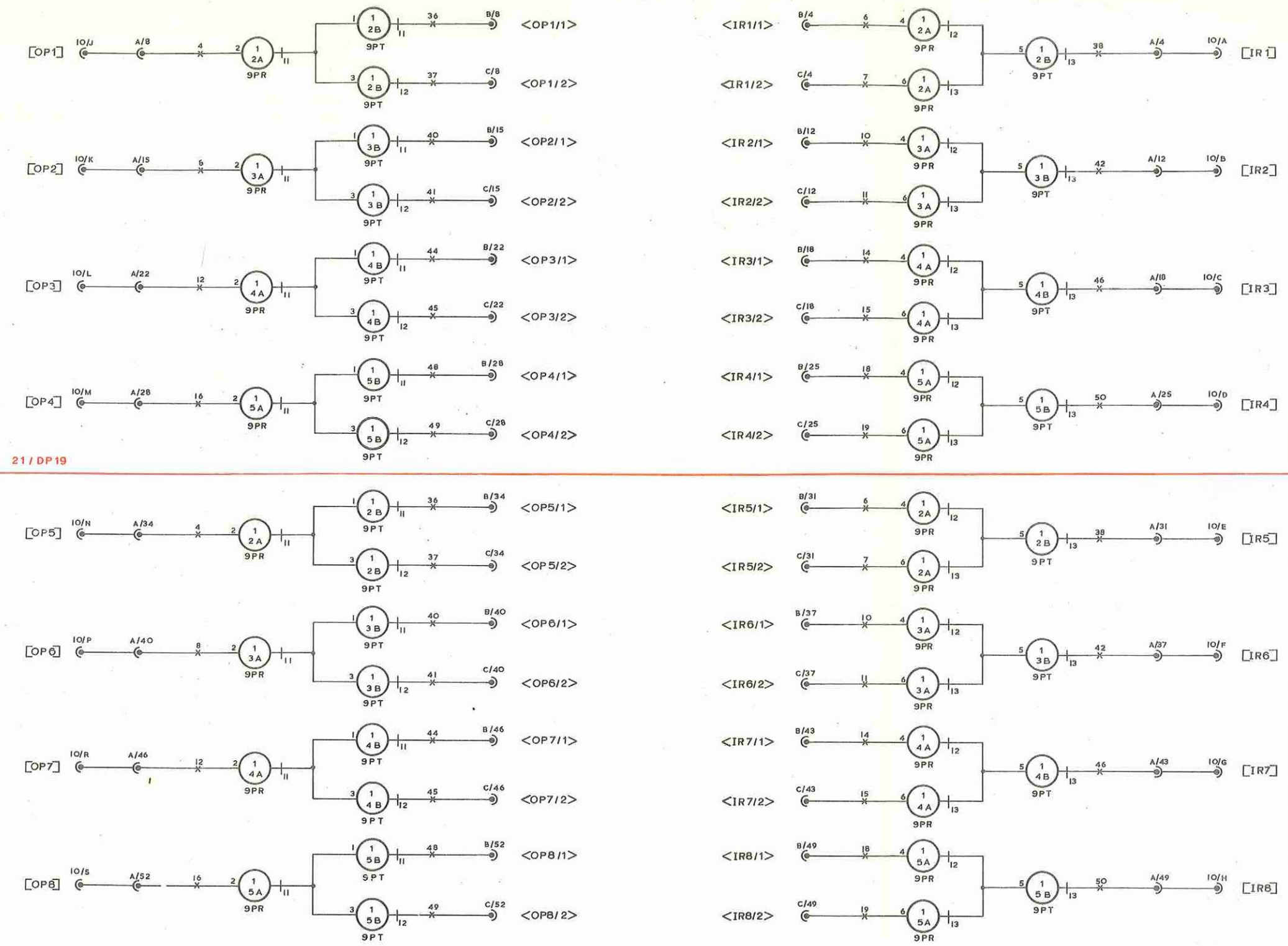


BOARD TYPE	BOARD POSITION	AREA REFERENCE														G AREA PAD LOCATION	VALUE	TOL ± %	CAT NO.	
		1A	2A	3A	4A	5A	6A	7A	1B	2B	3B	4B	5B	6B	7B					
DP19	21,22		12	12	12	12	12				11	11	11	11	11		25/26	47 μ	5	9219
DP20	23		12	12		01	01				11	11	11	01	1B		1/2, 3/4 5/6, 7/8	47 μ	5	9219
																	21/22, 23/24	56 μ	5	9941

NOTE :- C1, C2 and C3 decoupling capacitors
10 uF : 20%, catalogue No, 9137

Figure 2 (ISSUE 2)

INTERFACE UNIT CONNECTIONS AND COMPONENTS



INTERFACE UNIT LOGIC DIAGRAM.

Figure 3. (ISSUE 2)